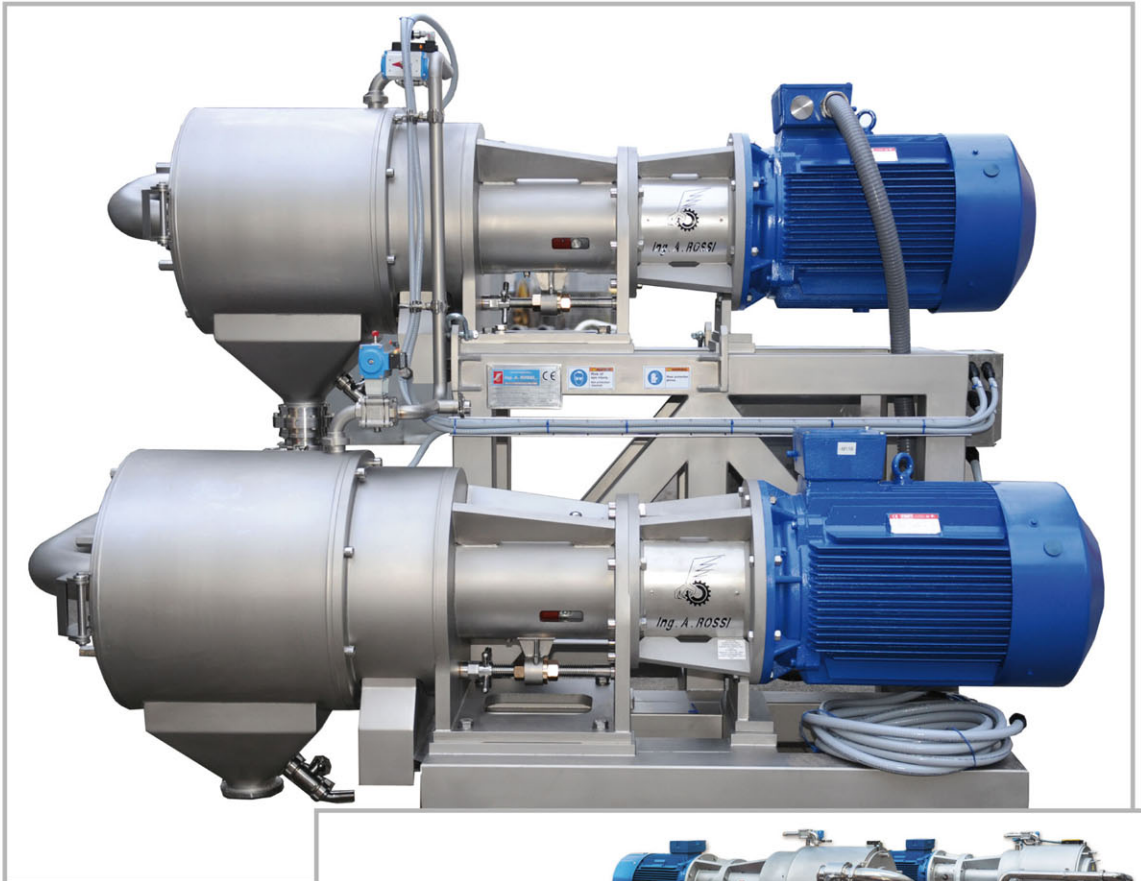




## Turbo Extractor EUREKA





Ing.A.Rossi has gained an excellent reputation in the tomato and fruit processing industry owing to the quality of its range of lines. The lines start from the reception of raw materials such as fresh fruit and allow the production of finished products such as concentrates, pulp, purées, and juice.

The turbo extractors made by Ing.A.Rossi play a vital role in these lines. It has been clearly shown that efficient extraction of the juice from the raw material is crucial to ensuring a finished

product of the highest quality while at the same time minimising waste.

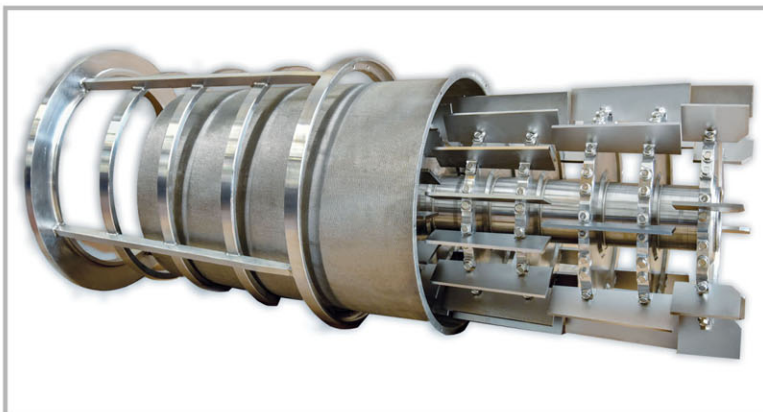
Ing.A.Rossi has recently further optimised the design of its turbo extractors and made them highly efficient with the introduction of some very important and innovative features:

- Detachable-blade rotor: thanks to this new feature it is now possible to replace worn blades with new blades simply by unscrewing the worn blades and screwing on the new ones.

- Bi-directional rotor: the new rotor is now able to rotate in both directions, clockwise and anti-clockwise. This feature is important because it makes it possible to use each sieve for double the time each sieve is used in conventional extractors. Moreover the double rotation possibility allows also double use of each blade with significant reducing of wear costs.





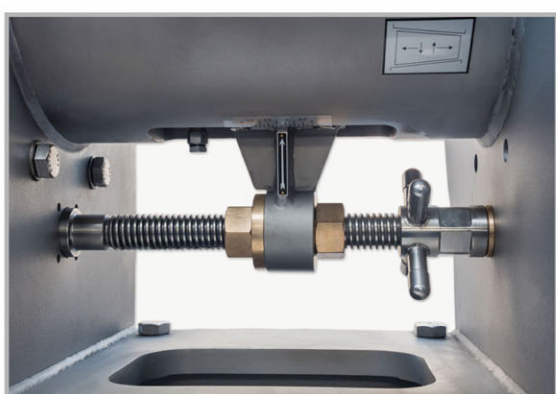
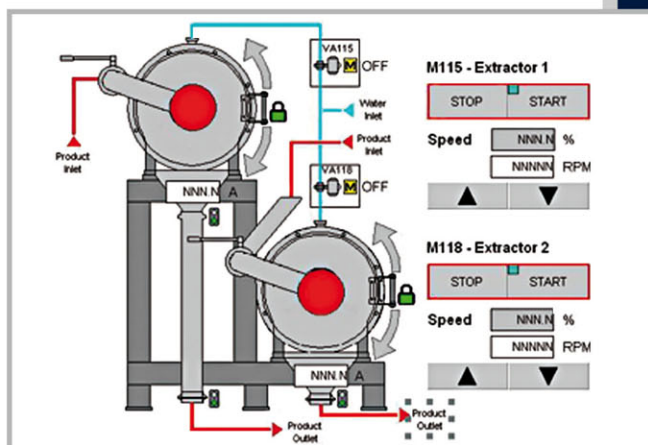
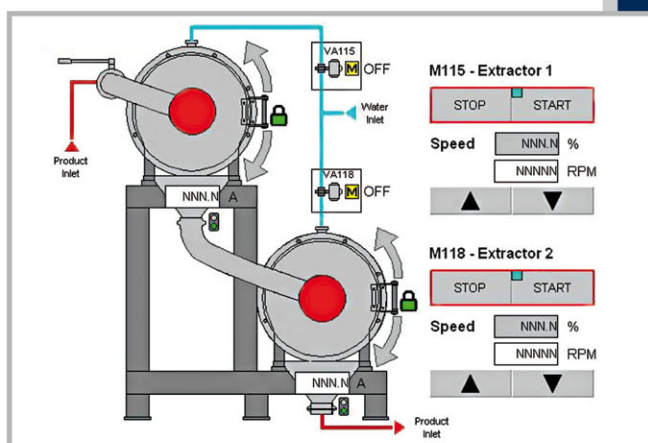


- Possibility to refine any kind of product thanks to the customized configuration of rotor and sieve (together with variation of the operative parameters of speed and distance between paddles and sieve);
- Efficient automatic washing system;
- Possibility to work independent bodies or serially connected depending on the kind of product.

The main advantages of the Ing.A.Rossi Turbo Extractors are the following:

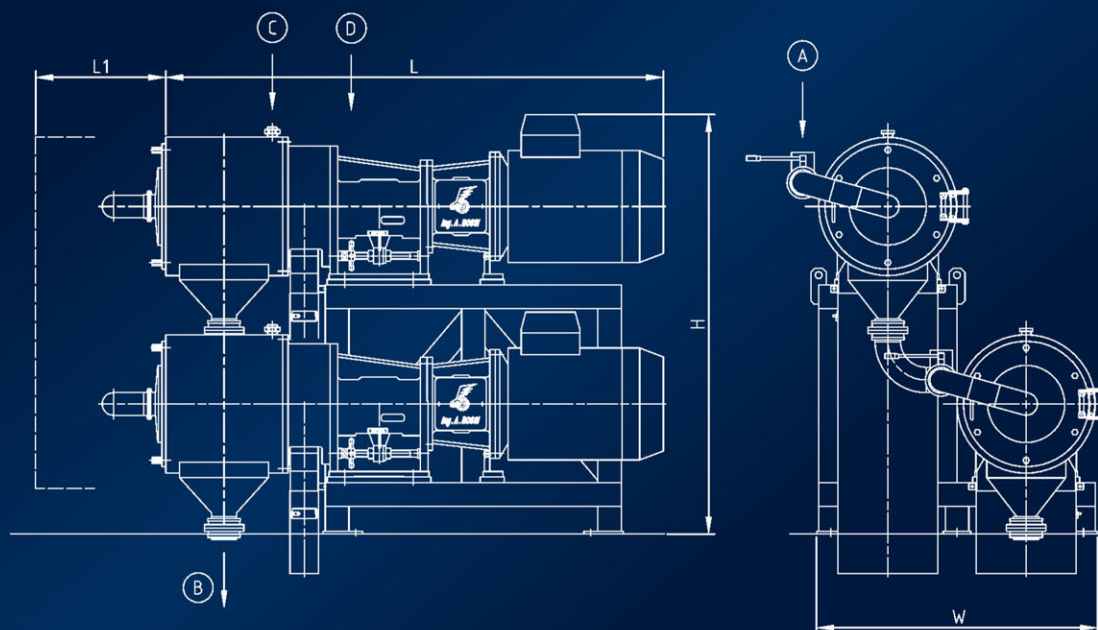
- Special design of the rotor maximizing extraction performance;
- Remarkable increase of the valuable life of the paddles thanks to the application of special alloys and thanks to the application of beaters to rotor without welding;
- Doubling of the valuable life of the sieves and of the paddles (thanks to the rotation of the machines in both directions);
- Possibility to set the distance between beater and sieve without stopping the machine;
- Possibility to set the speed of the rotation of the machine up to 2000 rpm (depending on model);

The turbo extractor is available in both single and double-body versions, working either in sequence or in parallel depending on production requirements.



Model	CAPACITY TOMATO	CAPACITY FRUIT	INSTALLED POWER
<b>EUREKA 1H 48</b>	15 - 50 T/h	5 - 13 T/h	55 kW
<b>EUREKA 1H 60</b>	30 - 100 T/h	10 - 25 T/h	90 kW
<b>EUREKA 1H 100</b>	60 - 200 T/h	20 - 50 T/h	200 kW

Note: the capacity will change depending on the type of sieve utilized.



OVERALL DIMENSION JUICE EXTRACTING UNIT Mod. EUREKA  
dimensions are in millimeters

	EUREKA 2H 48	EUREKA 2H 60
L - LENGTH	2241	2518
W - WIDTH	1395	1420
H - HEIGHT	2108	2123
L1 - EXTRA LENGTH	500	658
(A) - JUICE INLET	DN 80	DN 100
(B) - JUICE OUTLET	DN 80	DN 100
(C) - WATER INLET	1 1/4"	1 1/4"
(D) - AIR INLET	DN 10	DN 10



**Ing. A. ROSSI**

IMPIANTI INDUSTRIALI S.R.L.

Viale Europa, 68A - 43122 Parma (Italy)  
Tel. +39 0521 271320 - Fax +39 0521 774331  
www.ingarossi.com - E-mail: sales@ingarossi.com