

APV EQ 37T HOMOGENISER



Essential Quality. Exceptional Performance.

Introducing the new APV EQ 37T homogeniser, a cutting edge solution designed for standard homogenisation applications. This streamlined model is available as a pump, single and two-stage homogenisation configuration.

The standard features include a three-plunger design with a choice of two homogenising valve types, integrated over-pressure control and integrated control cabinet.

Performance You Can Trust

The EQ 37T provides proven APV homogeniser performance and quality, capable of homogenising pressures of up to 250 bar. Ideal for dairy, food and beverage applications, the EQ is engineered for consistent and reliable results.

Quality without Compromise

With robust construction featuring high quality materials, the EQ 37T provides reliable performance and an extended operating life for exceptional quality and enduring excellence in your homogenisation process.



Benefits

- Plug and produce: integrated control panel and utility valves enables seamless installation
- Reliable performance: utilises proven components for consistent and dependable operation
- Peace of mind: supported by SPX FLOW's global aftermarket network

Standard Features

- Monoblock liquid end
- Ball type pump valves and seats in stellite
- Manual pneumatic control
- Integrated over-pressure monitoring
- Integrated control cabinet
- Oil level indicator
- Stainless steel plungers
- Stainless steel cladding
- Automatic air and water isolation valves
- Weld connection

Standard Options

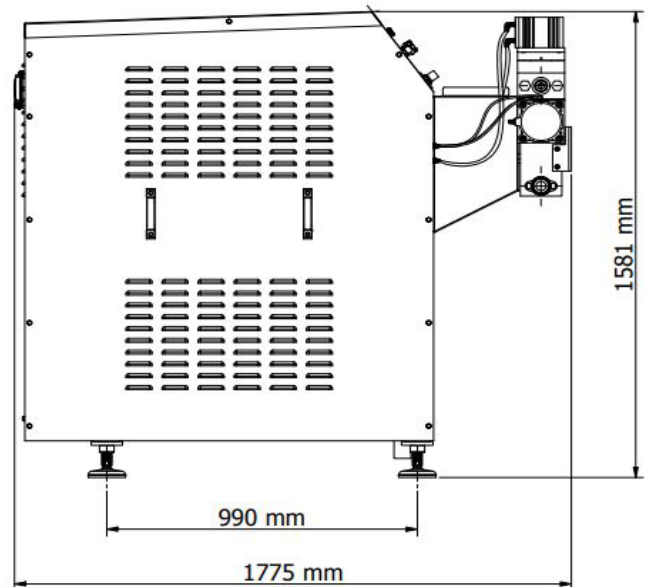
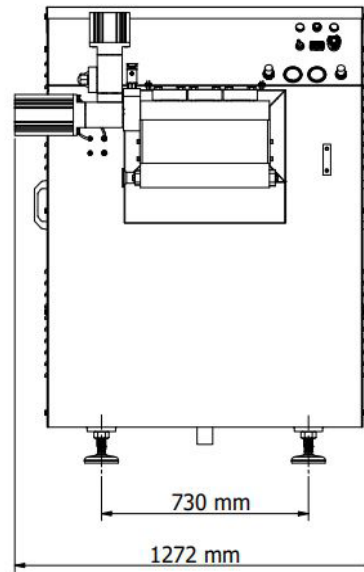
- Homogeniser or pump
- Single or two-stage homogenisation
- High-pressure discharge connection
- Connections in SMS or Clamp
- Inlet pressure gauge
- Choice of materials for pump and homogenising valves
- Hardened metal plungers
- Pulsation Dampener

Technical Specifications

MODEL	NOMINAL CAPACITY	
	FLOW LPH	PRESSURE BAR
EQ 37T-45	4,600	250
EQ 37T-50	5,700	200

TECHNICAL SUMMARY	
GROSS WEIGHT	2,100 KG
NET WEIGHT	1,800 KG
NO OF PLUNGERS	3
INLET / OUTLET CONNECTION SIZE	38 MM 1½ IN Nominal
WATER FLOWRATE COOLING & LUBRICATION	150 LPH
POWER	37 KW

DIMENSIONS (L X W X H)	
STANDARD MACHINE	1,775 x 1,272 x 1,581 MM
PACKED ON PALLET	1,800 x 1,500 x 2,080 MM
PACKED IN CRATE	1,850 x 1,650 x 2,080 MM
PACKED VOLUME	5.7 M³



*Note-all images are for indication only.
Some options may not be supplied as standard.*

SPXFLOW®

SPX FLOW, Inc. reserves the right to incorporate our latest design and material changes without notice or obligation. Design features, materials of construction and dimensional data, as described in this bulletin, are provided for your information only and should not be relied upon unless confirmed in writing. Please contact your local sales representative for product availability in your region. The green "▶" is a trademark of SPX FLOW, Inc.

For more information, visit www.spxflow.com.